

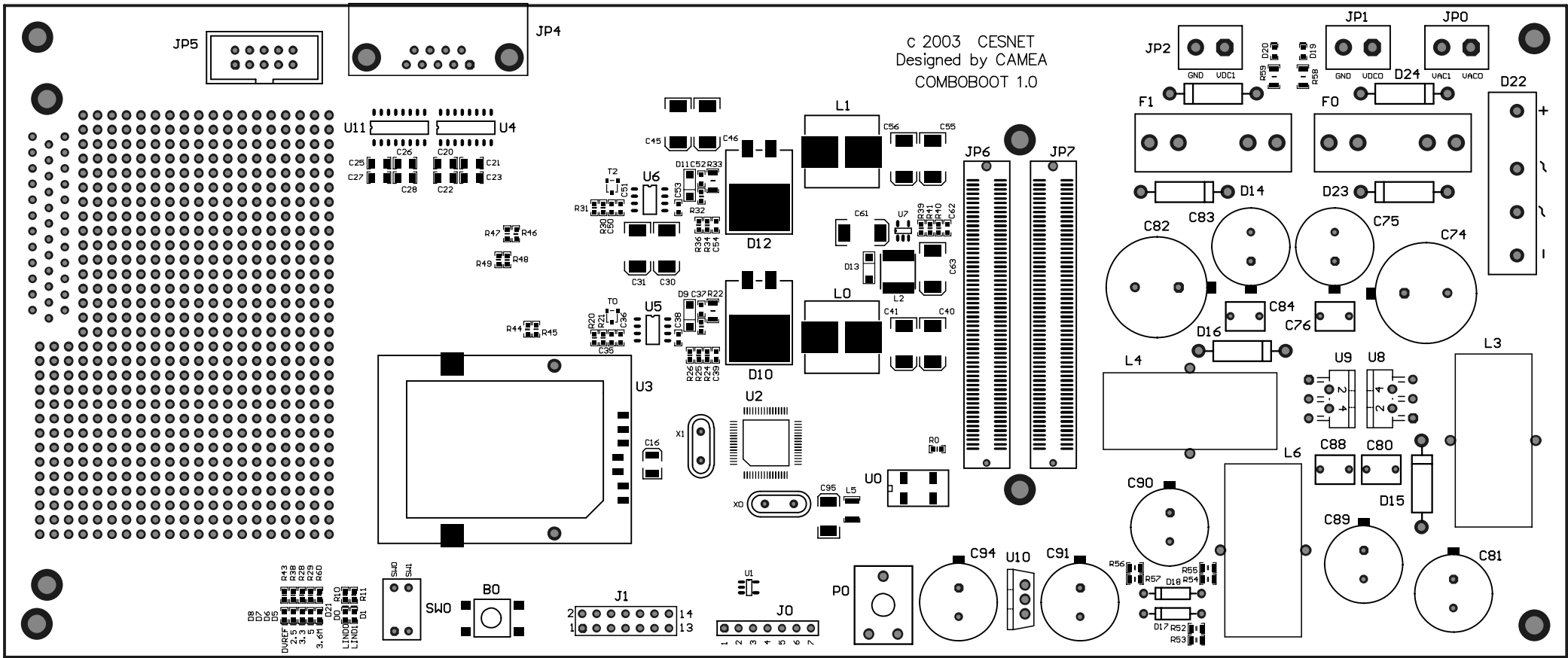
CESNET technical report number 14/2003

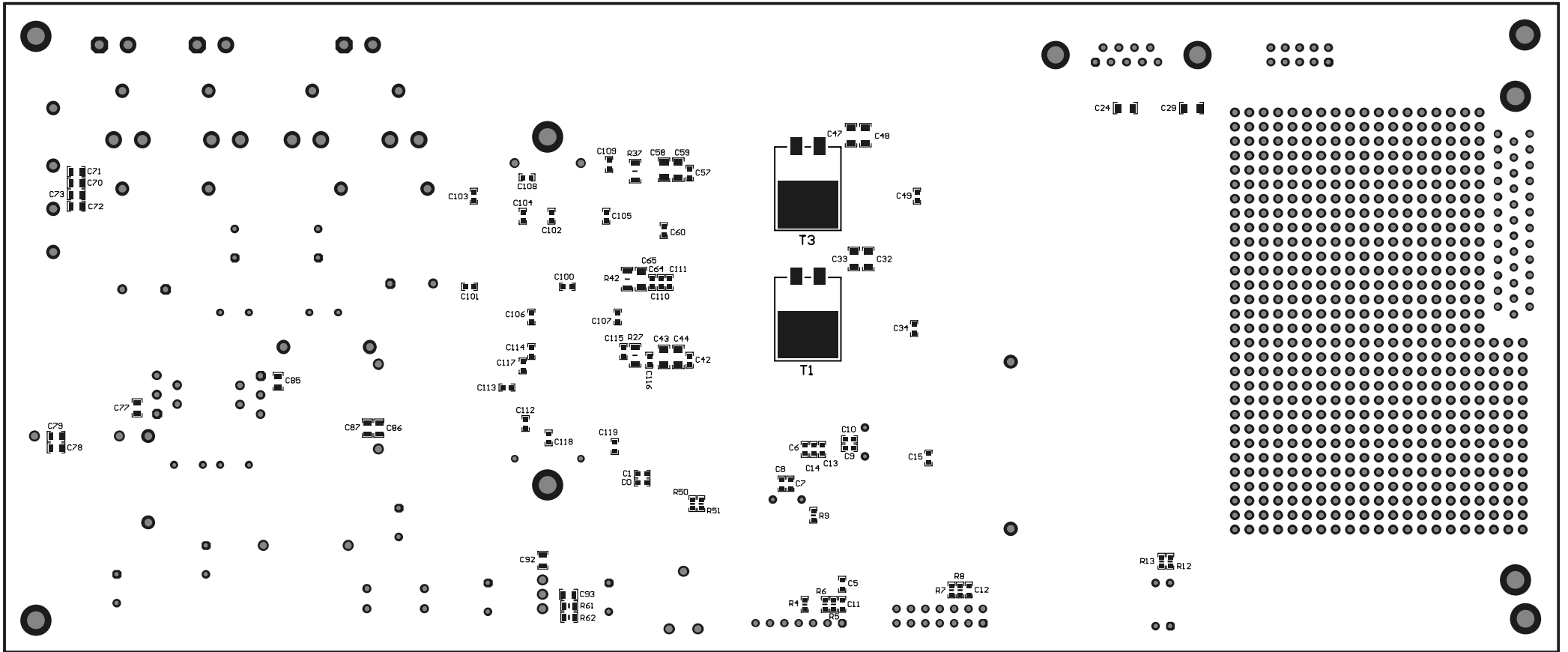
Schematic of COMBO-BOOT card

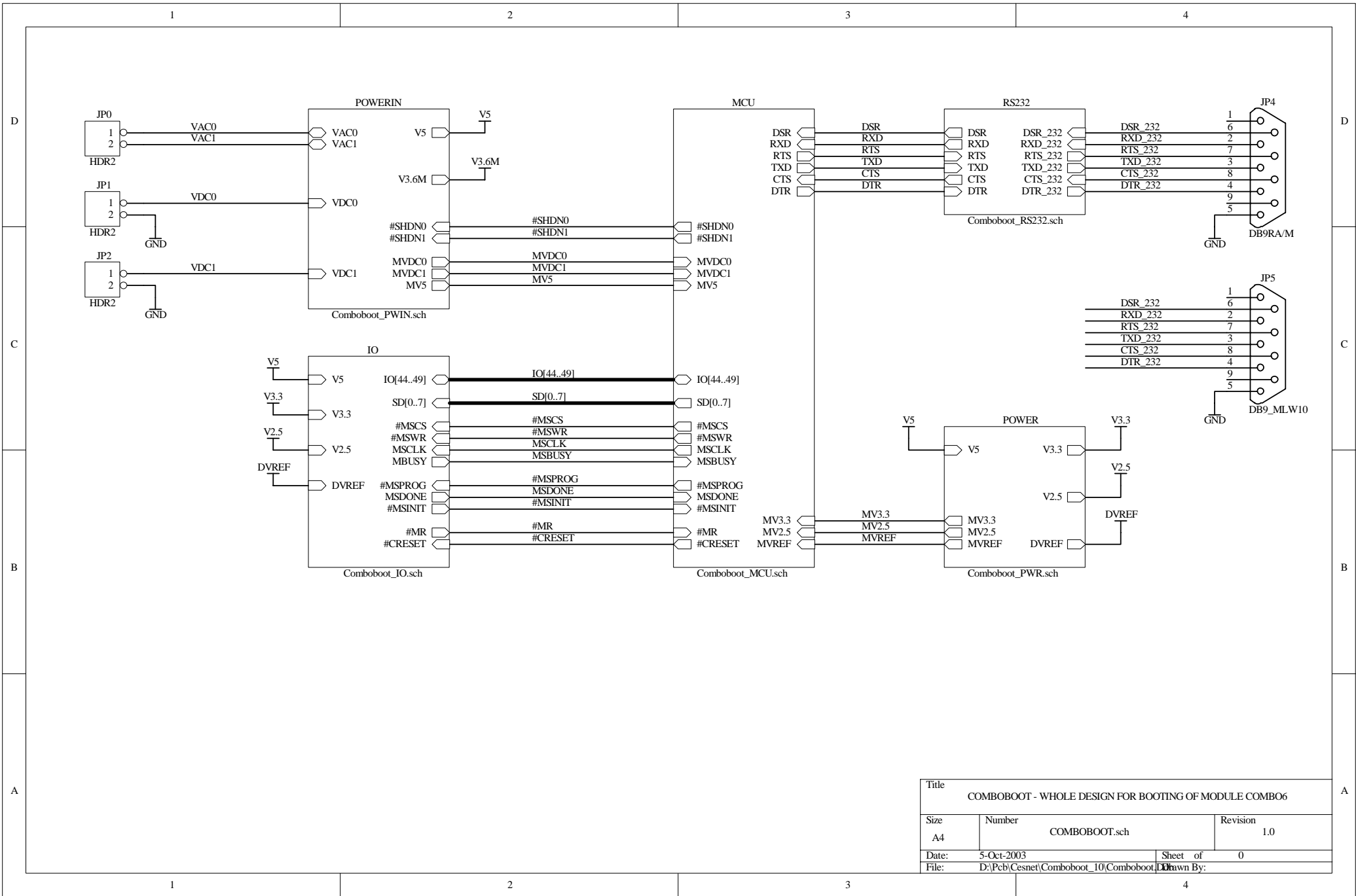
Jiří Novotný, Stanislav Šíma, Radomír Bardas

2003-11-18

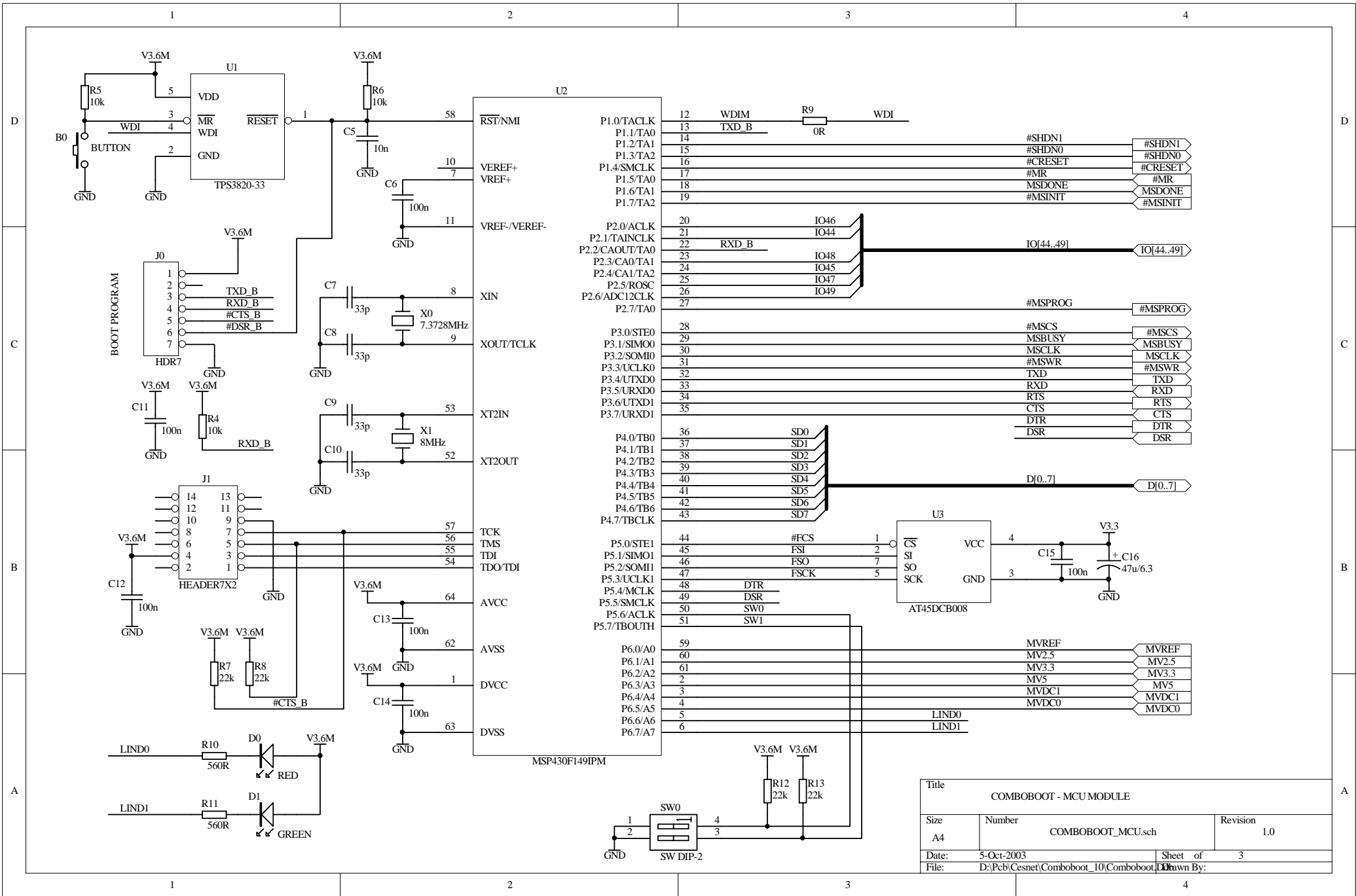
c 2003 CESNET
Designed by CAMEA
COMBOBOOT 1.0



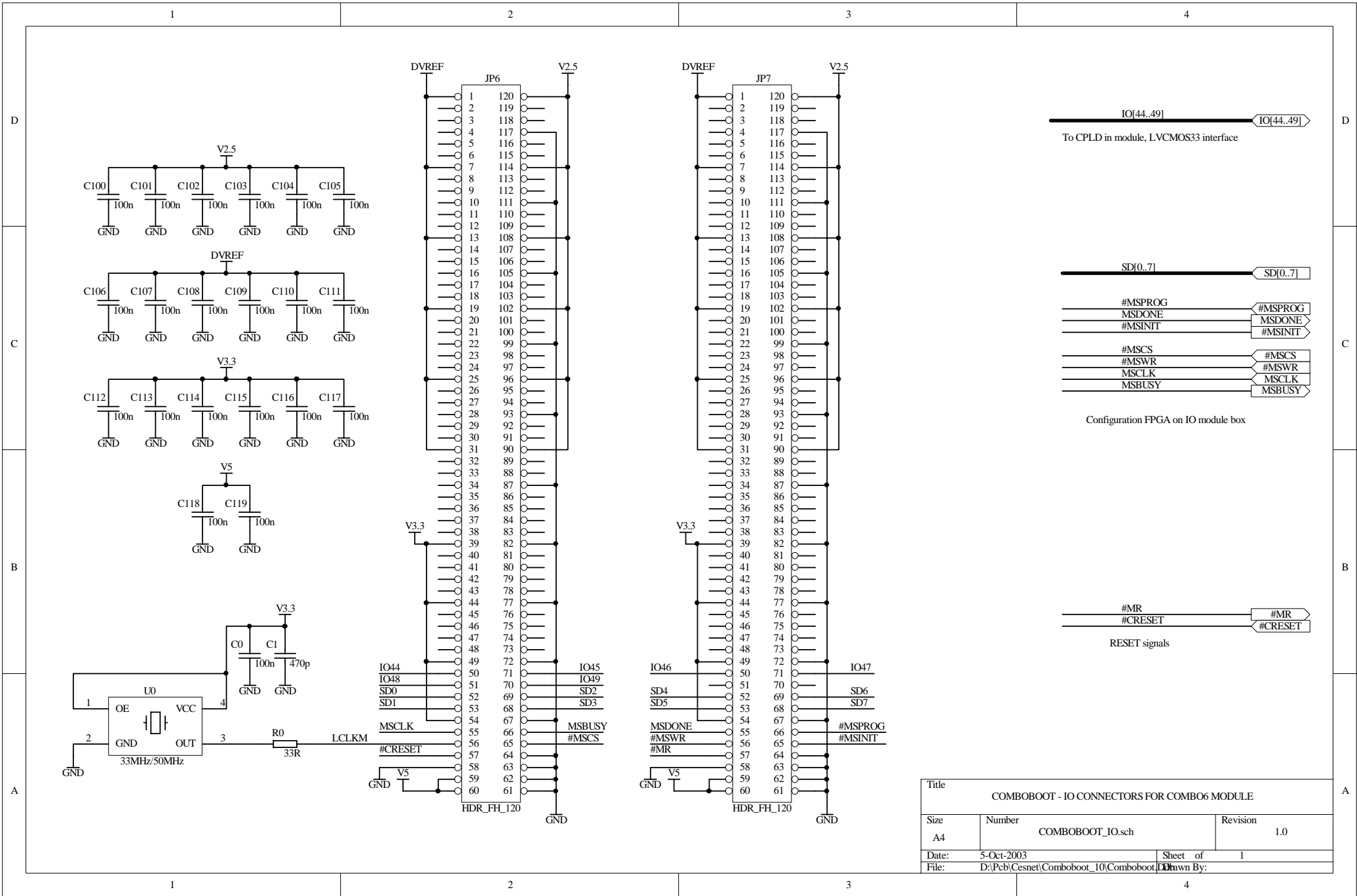


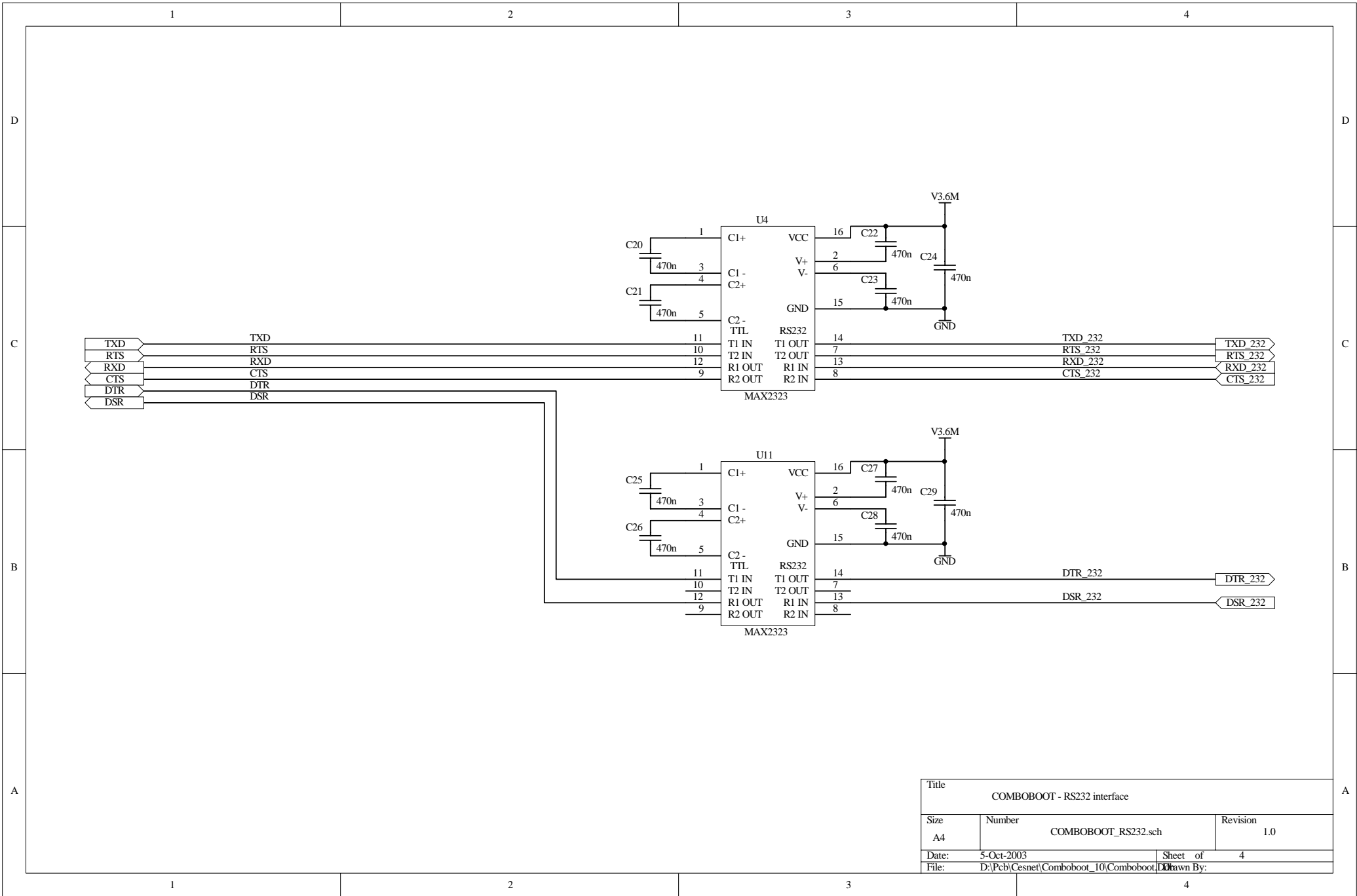


Title		
COMBOBOOT - WHOLE DESIGN FOR BOOTING OF MODULE COMBO6		
Size	Number	Revision
A4	COMBOBOOT.sch	1.0
Date:	5-Oct-2003	Sheet of 0
File:	D:\Pcb\Cesnet\Comboboot_10\Comboboot_10.dwg	

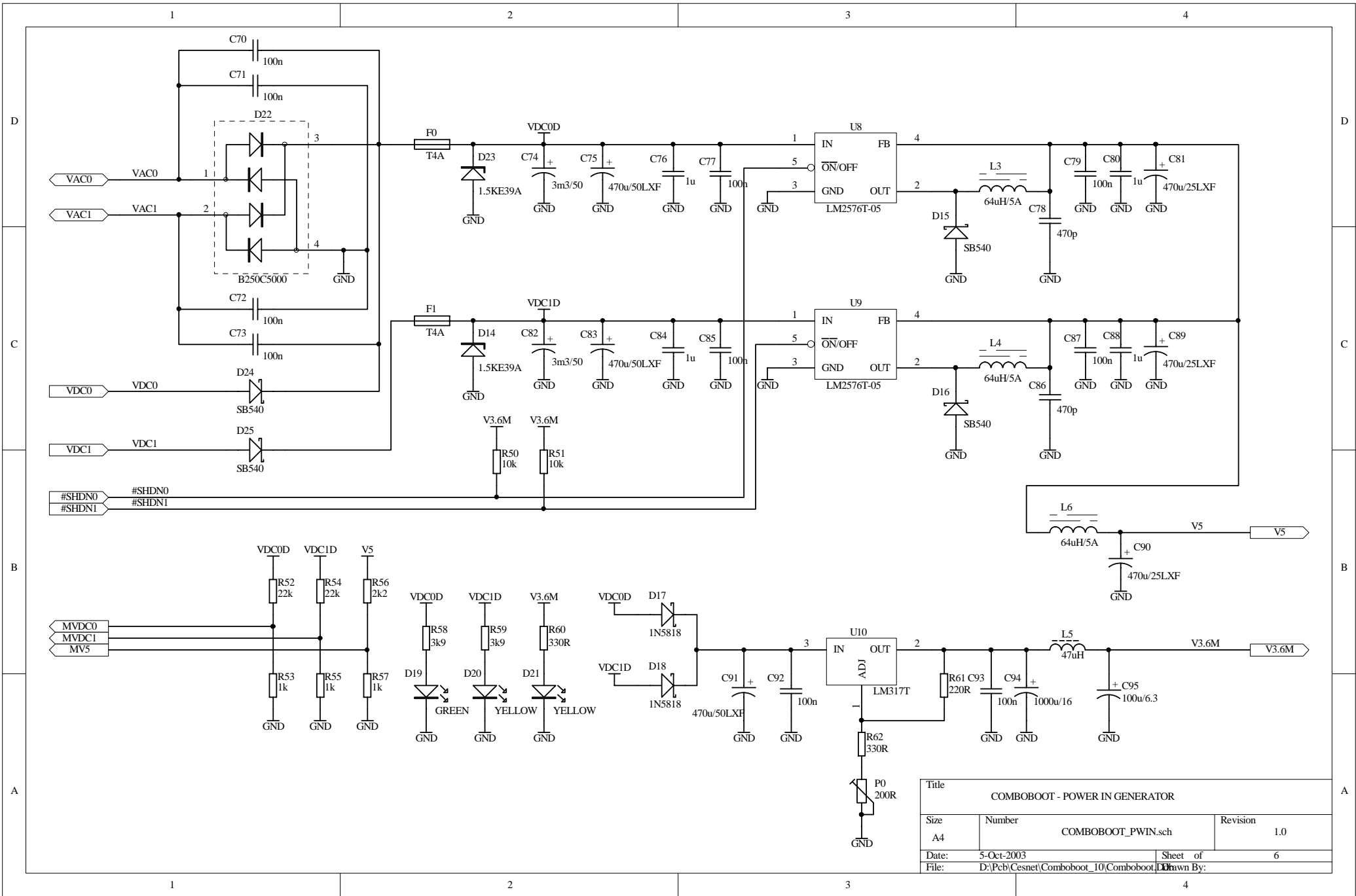


Title			
COMBOBOOT - MCU MODULE			
Size	Number	Revision	
A4	COMBOBOOT_MCU.sch	1.0	
Date:	5-Oct-2003	Sheet of	3
File:	D:\Pcb\Cesnet\Comboboot_10\Comboboot_10.sch Drawn By:		

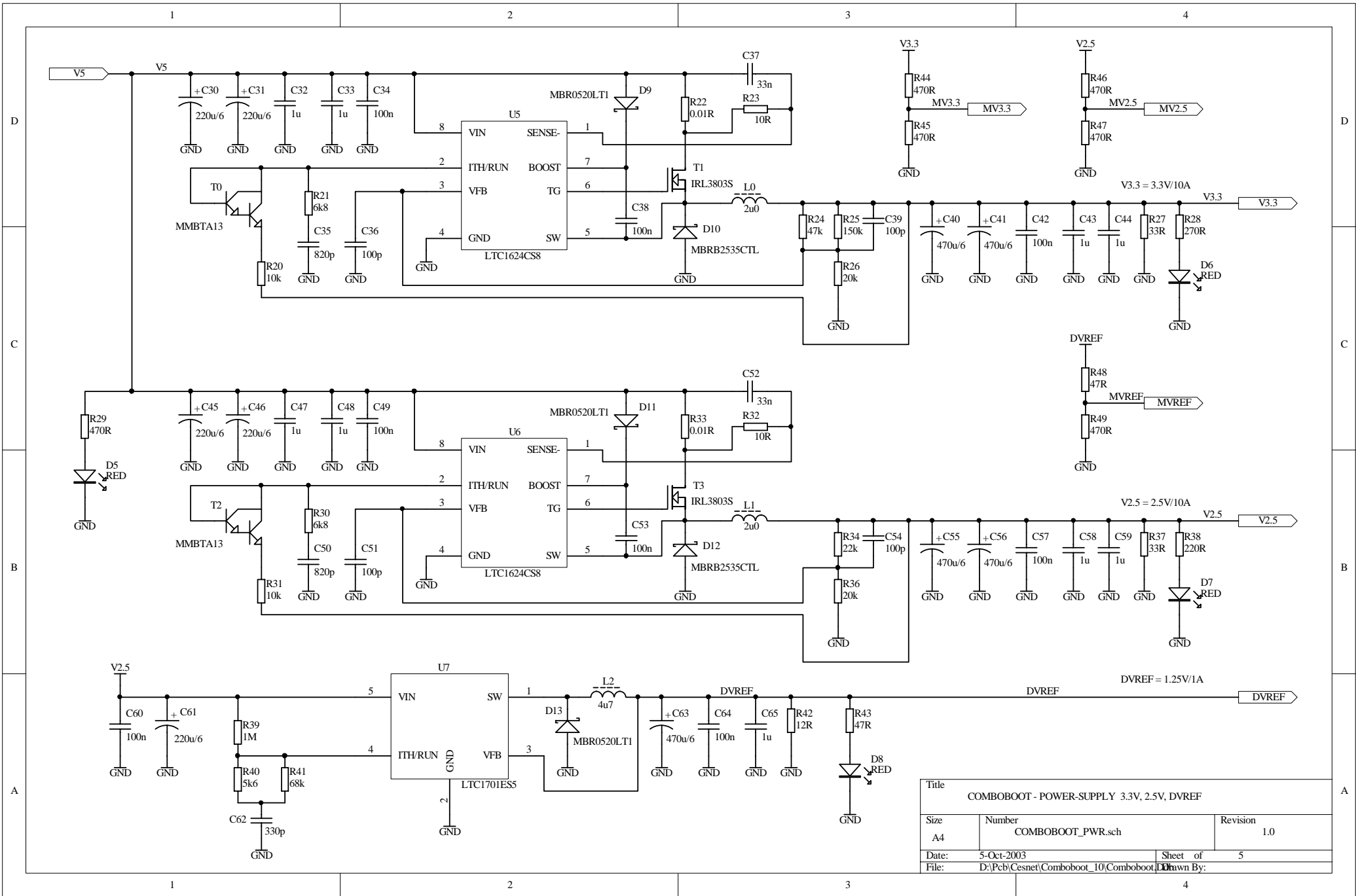




Title		
COMBOBOOT - RS232 interface		
Size	Number	Revision
A4	COMBOBOOT_RS232.sch	1.0
Date:	5-Oct-2003	Sheet of 4
File:	D:\Pcb\Cesnet\Comboboot_10\Comboboot_10.sch Drawn By:	



Title		
COMBOBOOT - POWER IN GENERATOR		
Size	Number	Revision
A4	COMBOBOOT_PWIN.sch	1.0
Date:	5-Oct-2003	Sheet of
File:	D:\Pcb\Cesnet\Comboboot_10\Comboboot_10	6
Drawn By:		



Title		
COMBOBOOT - POWER-SUPPLY 3.3V, 2.5V, DVREF		
Size	Number	Revision
A4	COMBOBOOT_PWR.sch	1.0
Date:	5-Oct-2003	Sheet of 5
File:	D:\Pcb\Cesnet\Comboboot_10\Comboboot_10.sch	